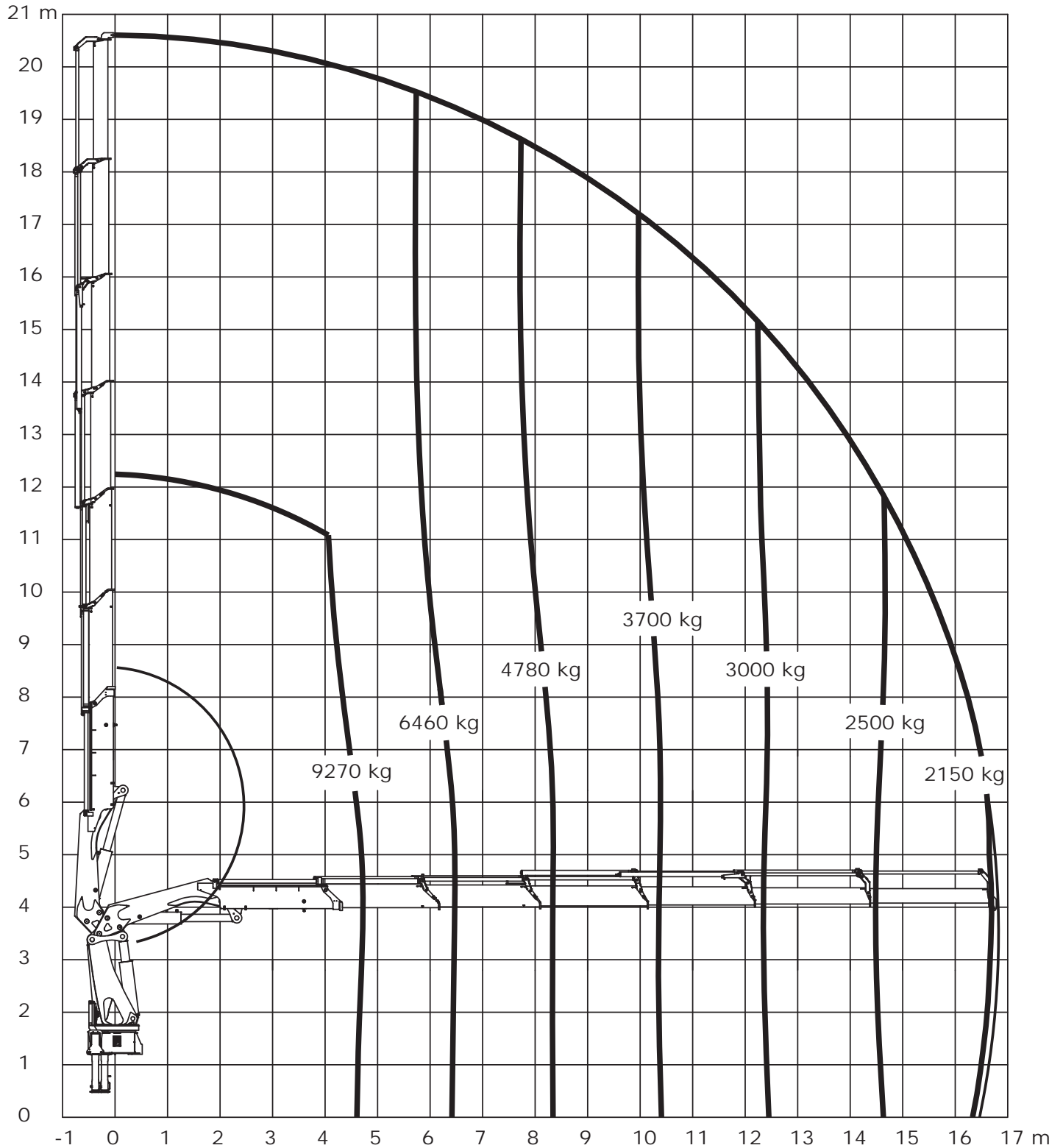


Lifting capacity diagram, K6

Catalogue no.	Section
31 109	26
Date	Page
10-04-2012	1 (1)

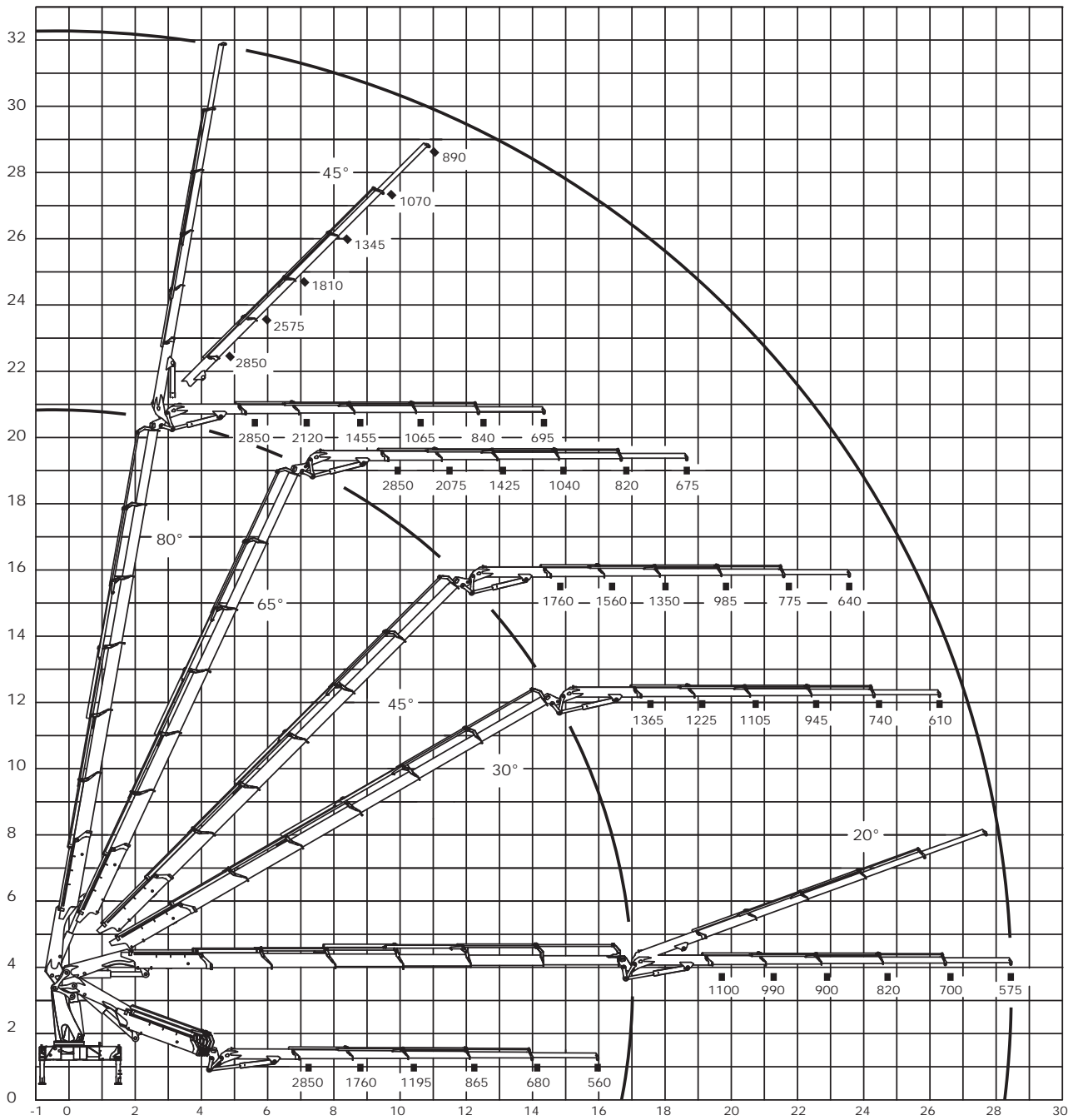


Loading group: EN12999 H1/B3



Lifting capacity diagram, 5020-K6 with FJ1000 K5

Catalogue no.	Section
31 109	255
Date	Page
10-04-2012	1 (1)



Technical Data, 5020-K with Fly-jib

Catalogue no.	31 109	Section	250
Date	26-10-2012	Page	1(1)

Performance		5020-K6 FJ1000-K4	5020-K6 FJ1000-K5	5020-K7 FJ600-K3	5020-K7 FJ600-K4
Hydraulic reach	m	26,55	28,53	27,55	29,57
Hydraulic telescopic movement, Fly-jib	mm	6745	8730	5450	7400
Out-reach with manual extensions	m	28,53	-	31,3	31,5
Lifting capacity, hydraulic	kg-m	1170 - 19,6	1100 - 19,7	1025 - 22,0	1020 - 22,0
		1060 - 21,2	990 - 21,3	935 - 23,7	930 - 23,7
		970 - 22,8	900 - 22,9	780 - 25,5	745 - 25,6
		890 - 24,6	820 - 24,7	580 - 27,4	545 - 27,5
		760 - 26,5	700 - 26,6	-	430 - 29,4
		-	575 - 28,5	-	-
Lifting capacity, manual extensions	kg-m	595 - 28,5	-	440 - 29,4	350 - 31,4
		-	-	350 - 31,4	-

Dimensions

Height above chassis - with winch	mm	2790	2790	2785	2785
Height above chassis - excl. winch		2790	2790	2770	2770
Width	mm	2500	2500	2500	2500
Length, without extra valve kit on fly-jib	mm	1324	1324	1298	1298
Length, with extra valve kit on fly-jib	mm	1324	1324	1430	1430

Weights

Fly-Jib 1)	kg	750	820	470	530
Manual extensions	kg	35	-	30	20
	kg	30	-	30	-
1 extra valve (hose reels)	kg	45	45	45	45
2 extra valves (hose reels)	kg	90	90	90	90

1) Weights ± 5% because of tolerances for plate thickness



Technical Information 5020-K



Lifting capacity, Fly-jib with winch

Catalogue no.	31 109	Section	275
Date	03-04-2013	Page	1 (1)

Winch	1000 kg	1500 kg	2500 kg	3200 kg
	Dinamic P6E	Dinamic P9E	Dinamic P15E	Dinamic S25 / Brevini 2500
FJ350		800 kg		
FJ600		800 kg	800 kg	
FJ1000			800 kg	
FJ1200				1500 kg
FJ2000				1500 kg



Technical Information 5020-K



Dimension sketch, stabilizer legs

Catalogue no.	Section
31 109	50
Date	Page
10-04-2012	1 (1)

